

CP2-300

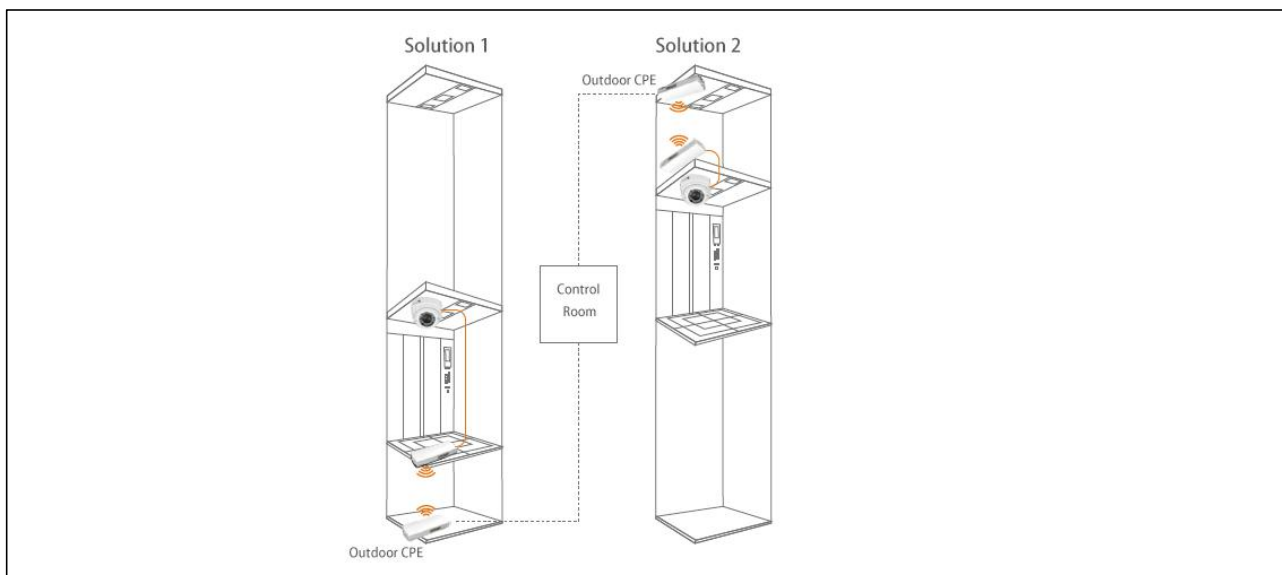


- 2.4G operating frequency, comply with 802.11b/g/n.
- Support data transfer distance up to 500m.
- Support 24V PoE or 12V/1A DC powered.
- Wireless speed can be up to 300Mbps, connecting with 2MP HD cameras without any blocking.
- Wireless speed up to 300Mbps, built-in 12dBi directional antenna with dual polarization.
- IP65 enclosure design.

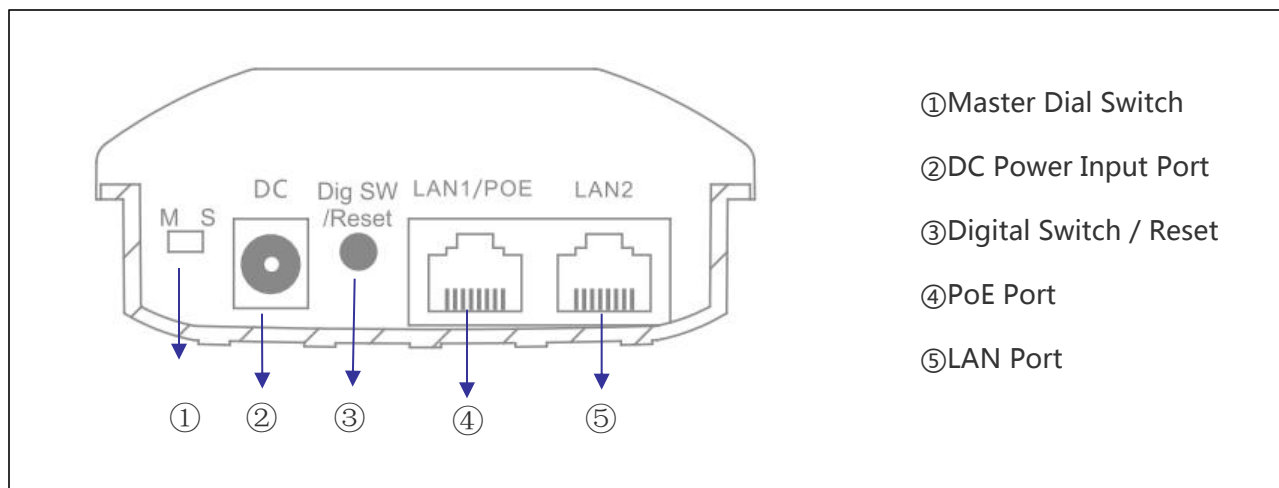
Overview

The CP2-300 is specially designed to wireless network of surveillance system of engineering project, which is to transmit the data of cameras to the control room. Different from the traditional cable transmission, it is not limited by the distance, and features with simple construction and low cost. Meanwhile, it saves the deployment time, effectively shortens construction period and reduces construction cost.

Application



Interface Diagram



Specification

Model	CP2-300
Main Chip	MTK7628KN 300Mbps
Wireless Technology	2.4G:300Mbps 802.11b/g/n MIMO
Memory	DDR2 8MB
Flash	4MB
Interface	2*10/100 Mbps auto-sensing RJ45 ports
Button	1*Digital Switch/Reset. Value 1 added by short pressing, reset by pressing in 5s.
LED	LAN1/PoE, LAN2, PWR
Power	Passive PoE: 24V 0.5A DC 12V 1A, power consumption < 10W
Antenna	Built-in 12dBi directional antenna with dual polarization Horizontal angle: 45 degree, vertical angle: 45 degree.
Operating Environment	Temperature: -30°C ~ +55°C (Operation), -40°C ~ +70°C (Storage) Humidity (Non-condensing): 10% ~ 90% (Operation), 5% ~ 95%(Storage)
Dimension	200mm×115mm×60mm
Weight	400g
Modulation	OFDM = BPSK,QPSK,16-QAM,64-QAM;DSSS = DBPSK,DQPSK,CC
Power Output	11n: @MCS7:16±2dB, @MCS0:16±2dB 11g: @54M:16±2dB, @6M:17±2dB 11b: @11M:18±2dB, @1M:18±2dB
Frequency Range	ISM: 2.300GHz ~ 2.4835GHz
Operating Channel	2.4G : 1, 2, 3, 4, 5, 6, 7, 8, 9, 10, 11, 12, 13, 32, 33, 37, 38, 42, 43
Receiver Sensitivity	802.11n: -70dbm@MCS7, -88dbm@MCS0 802.11g: -72dbm@54Mbps, -88dbm@6Mbps 802.11b: -85dbm@11Mbps, -94dbm@1Mbps
Operation Mode	Master AP, Slave AP (Through dial switch)
Networking Mode	Point to Point, Point to multipoint (Within 8 points)
Management	WEB Default IP: 169.254.254.254 Username/Password: utepo/utepo
Network	Bridge: Static IP/ Dynamic IP

Specification

Wireless Management	Bridge configuration, WIFI configuration
System	Time/ Date Setting, Username Management, Backup/ Restore, Reboot/ Time to Reboot
Update	Local update based on WEB

Packing List

CONTENT	QTY
CPE	1
POE Power Supply	1
Mounting Kits	1
Cable	1
User Manual	1

Related Product

NAME	MODEL
3km outdoor wireless CPE	CP5-300